



## CHAIN LINK FENCE

Chain link fence is the world's most popular fence type. There are hundreds of thousands of feet of chain link fence installed around the world.

As chain link manufacturers, we can offer you the broadest range of chain link options.

Rite-Way Fencing buys raw materials for chain link fencing from the best suppliers in Canada and around the world. Then we turn those raw materials into a wide range of chain link fence systems.

Several of our branches around the country are equipped to weave mesh, and we coat our own PVC wire, manufacture barbed wire and more.

So if you're looking for a high quality, Canadian made chain link fence system, you're in the right place!

# CHAIN LINK MESH

## A HUGE RANGE OF OPTIONS

One of the reasons chain link fencing is so popular is that there are so many options available.

A chain link fence can be designed to suit nearly every budget and security need. From a simple fence around your back yard to a high security system for prisons, airports and more.

This brochure outlines some of the options that are available to create your chain link fence system, but we always recommend that you contact your Rite-Way Fencing representative to discuss your options!



## HEIGHTS, APERTURES AND GAUGES

Chain link fences come a wide variety of heights, apertures and wire gauges. This is one of the reasons they're able to adapt to nearly every application. When you're designing a chain link fence, choose the right height for your security needs, and then choose a wire gauge and mesh aperture to suit.

Option	Variants Available
Heights	36", 42", 48", 60", 72", 84", 96", 120", and 144"
Apertures	1 ½", 1 ¾", 2", 2" Texas Weave, 2 ½"
Gauges	11 gauge, 9 gauge, 6 gauge

Note: Because we manufacture mesh ourselves, we can offer additional special order sizes that might not be on this list. If you need something that you don't see here, please get in touch to discuss your options.

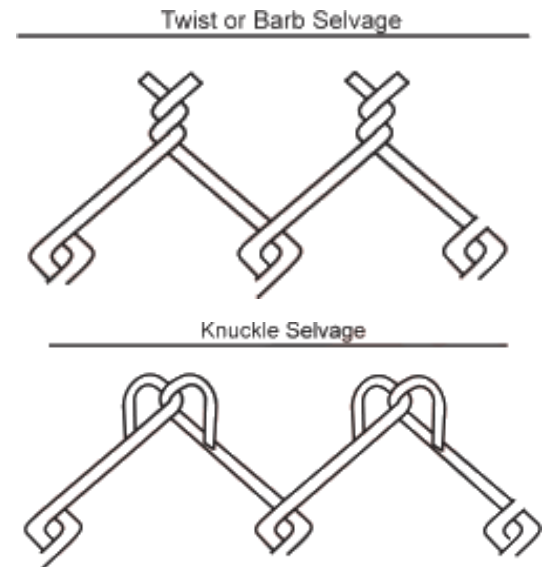
# CHAIN LINK MESH

## SELVAGE OPTIONS

Another option that you have when creating your chain link fence specification is the selvage.

This term refers to the way the wire is finished along the top and bottom of the mesh.

Knuckled edges are safer for public spaces, while barbed edges offer a little more security. Choose knuckle / knuckle or knuckle / barb for your project.



## FINISHES

The next thing you need to choose when designing your chain link fence system is the finish of the mesh, wire and fence. Because we PVC coat wire and powder coat fence posts, rails and gates, we can offer a wide range of colour options. But there are also various galvanized options available.

Option	Variants Available
Colours	Galvanized, black, green, white, brown
Finishes	Galvanized, PVC / powder coated
Galvanizing	Standard, Heavy 1.6 oz, Heavy 2.0 oz (Heavy galvanized options are recommended for marine and industrial environments.)

Note: Special colours are available on request for large volume orders. Please speak to your Rite-Way Fencing representative if you need something else!

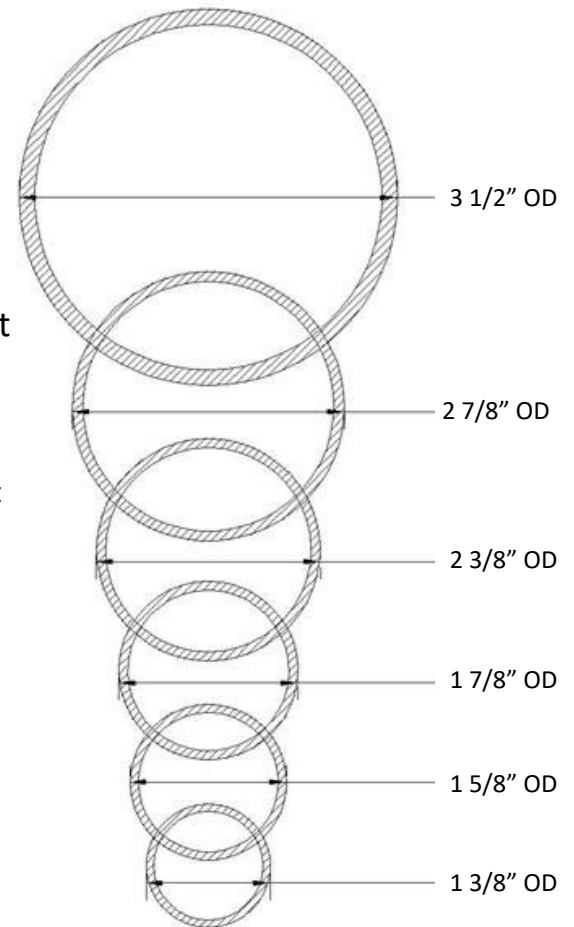
# CHAIN LINK STRUCTURE

## STEEL STRUCTURE

Not only can you choose the type of chain link mesh that is used for your fence, you can specify the structure too.

Typically, the lower a fence is, the smaller the individual components will be. Lower security fences also use lighter weight pipe and tubing than commercial and industrial fences.

Top rails are usually either 1 3/8" or 1 5/8". Line posts can be 1 7/8", 2 3/8" or 2 7/8", and terminals can be 2 3/8", 2 7/8", 3 1/2" or on very high security systems, sometimes 4 1/2". For very heavy duty gates, you might also require a 6 5/8" post.



## PIPE TYPES

After you've chosen the height, gauge, finish and aperture of your mesh and wire, the next thing you need to do is select a structure. Sometimes, there is a standard specification used by an organization or municipality, but often, chain link specifications are designed per project. These are some of the pipe and tubing types that might be used for your fence.

Diameter	17 gauge	SS15	SS20	SS40	Sch. 40
1 3/8"	✓	✓	✓	✓	
1 5/8"	✓	✓	✓	✓	
1 7/8"	✓	✓	✓	✓	
2 3/8"	✓	✓	✓	✓	
2 7/8"			✓	✓	
3 1/2"			✓	✓	
4 1/2"			✓	✓	
6 5/8"					✓

# CHAIN LINK OPTIONS

## OPTIONS AND ADD ONS

Once you've chosen your mesh and wire, designed the right structure and selected a finish, there are a few more things to decide.

Chain link fences can be installed with a variety of gates, security add ons and more. These are some of the options you should discuss with your Rite-Way Fencing representative.

## ADD ON OPTIONS

### Installation Options

Chain link fences can be installed in concrete bases, with pounded posts, on screw piles or with base plates. Usually, the site surface will determine the best method(s).

### Security Add Ons

If you need a more secure fence, there are a variety of options. Choose to add barbed wire or razor coils (which may require special permission) for fence top security.

If you need added security under your fence, add buried mesh or a

concrete slab or beam to the bottom of the fence as an anti dig measure.

Chain link fence can be fitted with additional brackets and electric fence wires, or with a fence detection system if you need high tech solutions.

### Gates

The options for chain link gates are almost endless, and we custom manufacture them, so you can get exactly what you need.

We manufacture chain link cantilevers in galvanized steel

and aluminium.

We also offer rolling gates, and can offer custom top hung solutions when required.

Our swing gates are available in single and double, with wicket gates, snow gates and panic hardware.

We also offer gate automation, so if you need to add an operator and peripherals to your gate, let us know!